

SSD

Multi-Port Throttle



look at info
overview



PN 10-PN 640
ANSI 150-2500



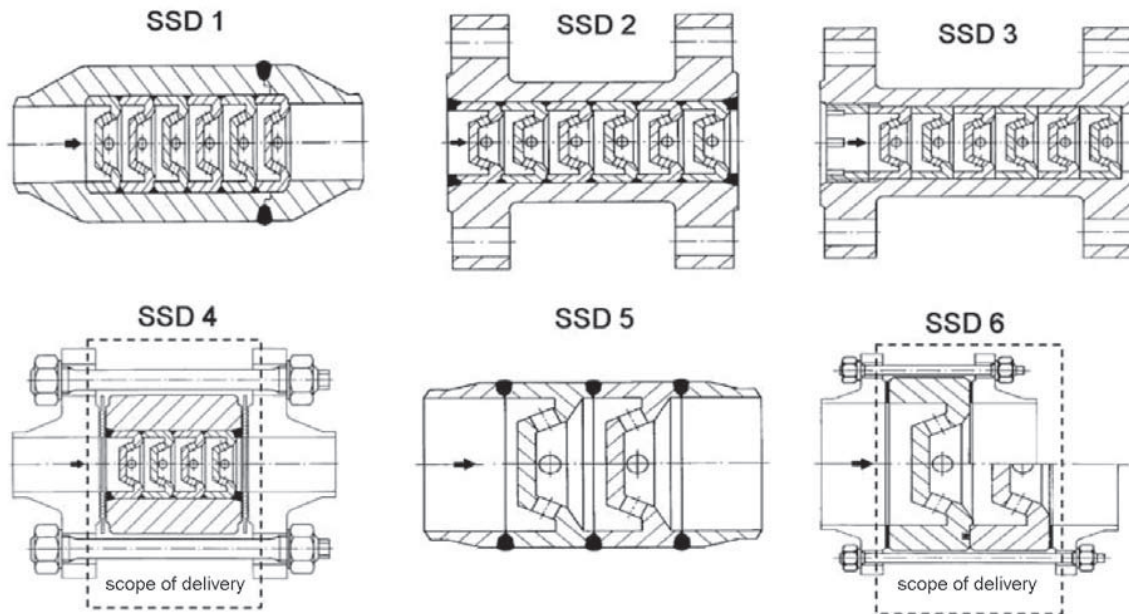
up to
 Δp 640 bar



SSD

SSD

Multi-Port Throttle



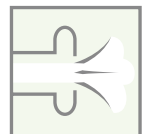
Multi-Port Throttle



look at info overview



PN 10-PN 640
ANSI 150-2500



up to
 Δp 640 bar

Multi-Port Throttle for pressure- and flow reduction

Operation range

The Multi-Port Throttles are used to reduce the pressure and flow rate of fluids in pipe systems.

Design

Multi-Port Throttles are available for sizes from DN20 up to DN500 and pressure ratings up to PN 640 and ANSI 2500 and for medium temperature up to 300 °C.

The standard material for casing is 1.0460 (P250GH similar to ASTM A105) and for the throttles 1.4581. On request casings can be supplied of different high-grade steel qualities. The design is according to standard AD 2000 and particularly to EN 13445.

As required by Pressure Equipment Directive (PED) 97/23 EG the products are supplied with CE Marking and Declaration of Conformity. Certified to module H1 all dangerous classes of category 1 to 4 are covered.

Versions

The pictures above show the available versions of our Multi-Port Throttles. If you have any questions do not hesitate to contact us – it is our pleasure to help you solving your technical problem.



Valve & Automation
Total Valve & Control Solutions®

JOHANNESBURG
Tel: 011 397 2833

DURBAN
Tel: 031 579 2593

South Africa:
0861 103 103

E-mail: sales@valve.co.za
www.valve.co.za

