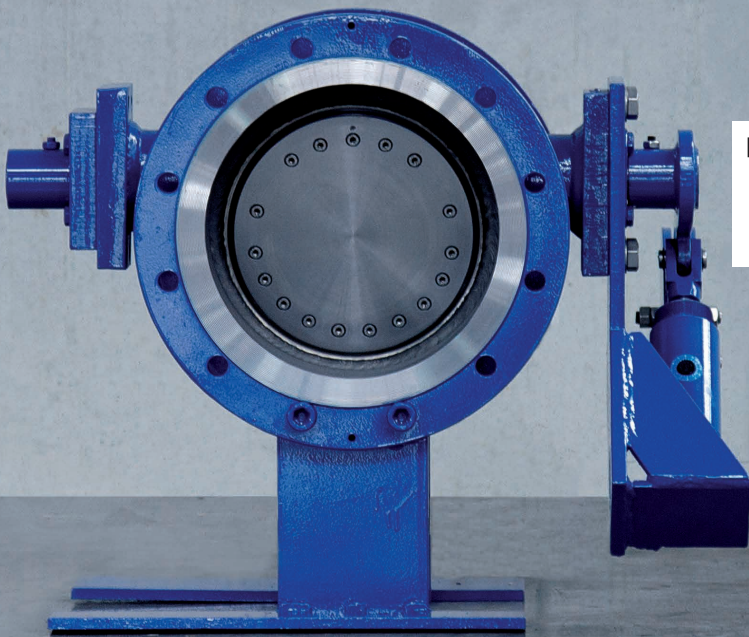


ZWICK
ARMATUREN GMBH 



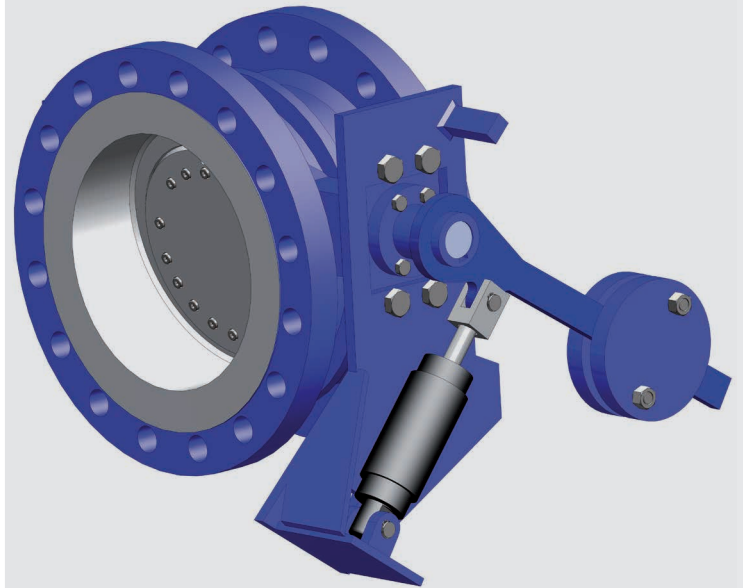
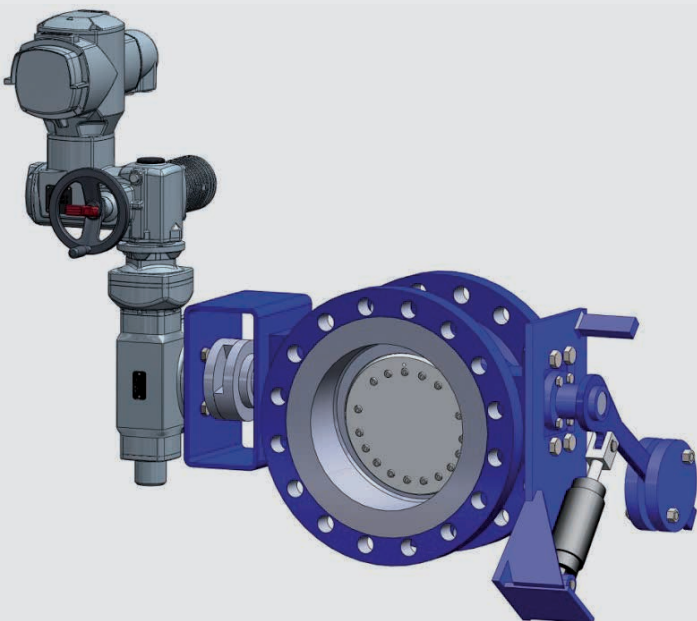
TRI-CHECK

**HEAVY DUTY
METAL SEATED
CHECK VALVE**
Hydraulic dampened

HIGH STANDARD VALVES FOR NON-STANDARD CONDITIONS.

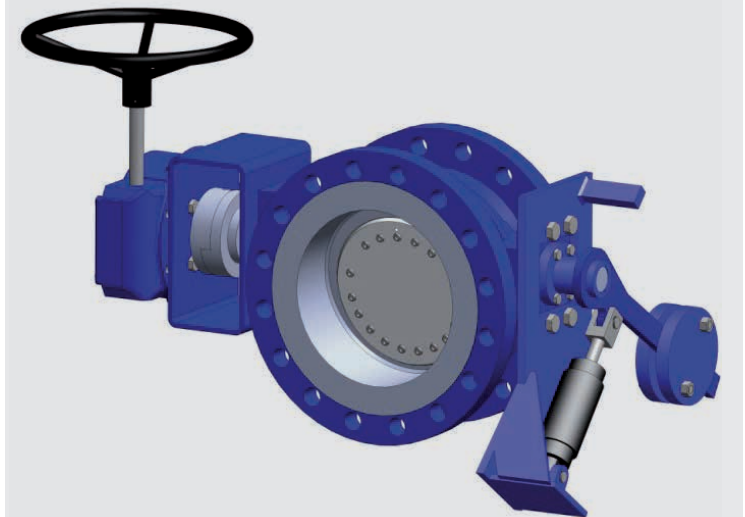
TRI-CHECK

- DN 50 - 1200 / 2" - 48"
- PN 6 - 160 / ANSI 150 - 900
- Zero Leakage
- Metal seated
- Tripple offset design
- Incl. damper & counterweight
- Double flange or buttweld



Options

- manual or automated combined
- check valve with shut off function



**Valve
& Automation**

Total Valve & Control Solutions®

JOHANNESBURG
Tel : 011 397 2833

South Africa:
0861 103 103

E-mail: sales@valve.co.za

www.valve.co.za

DURBAN

Tel : 031 579 2593



SCAN ME