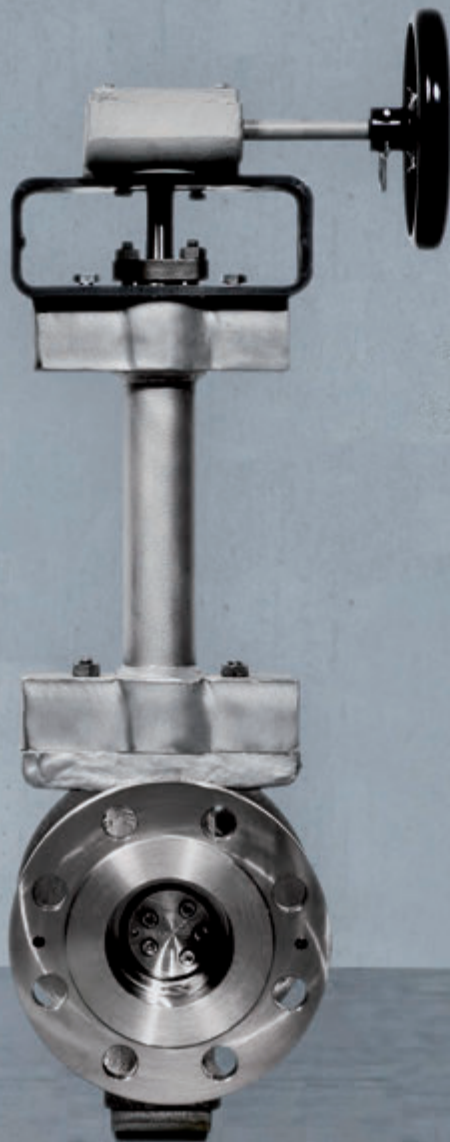


**ZWICK**  
ARMATUREN GMBH



**TRI-CON**

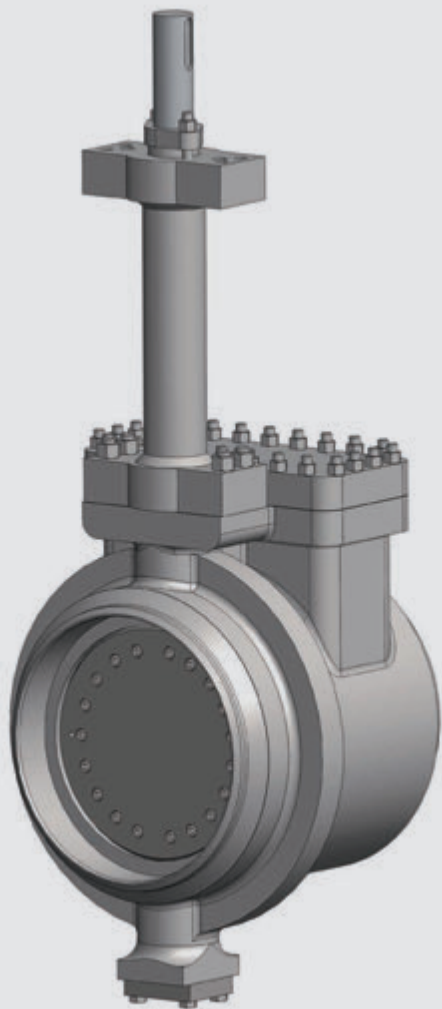
**SERIES FOR  
LOW TEMP  
APPLICATIONS**

# HIGH STANDARD VALVES FOR NON-STANDARD CONDITIONS.

## TRI-CON CRYOGENIC

- 2" - 72"
- ANSI 1500 / PN 250
- Any CF grades (CF3, CF3M, CF8, CF8M, etc.)
- -215°C
- metal seated
- BS 6364 up to Zero Leakage
- Fire Safe
- NACE
- extended bonnet
- non-cold box & cold box design
- optional oil & grease free

• LNG • GTL • NG



## TRI-CON LOW TEMPERATURE

- 2" - 72"
- ANSI 1500 / PN 250
- Low Carbon Steel
- -50°C
- metal seated
- Zero Leakage
- Gas tight
- Fire Safe
- Bi-directional shut-off
- NACE



## TRI-CON SIDE ENTRY

- 3" - 36"
- ANSI 150/300 / PN 10 - 40
- Any CF grades ( CF3, CF3M, CF8, CF8M, etc. )
- -215°C
- metal seated
- BS 6364 up to Zero Leakage
- Fire Safe
- NACE
- extended bonnet
- non-cold box & cold box design
- Side Entry
- optional oil & grease free



**Valve  
& Automation**

**Total Valve & Control Solutions®**

**JOHANNESBURG**  
Tel : 011 397 2833

**South Africa:**  
**0861 103 103**

E-mail: [sales@valve.co.za](mailto:sales@valve.co.za)

**[www.valve.co.za](http://www.valve.co.za)**

**DURBAN**

Tel : 031 579 2593



SCAN ME